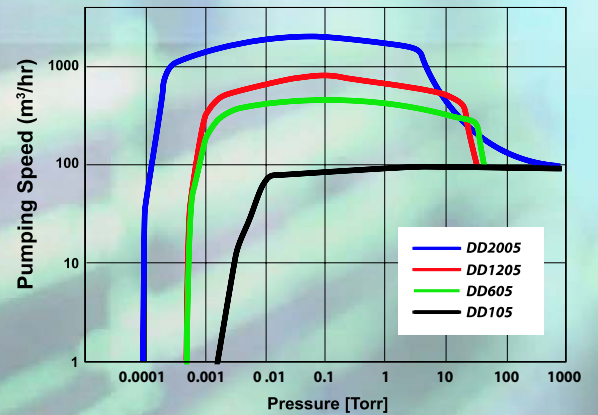


DD105 Series

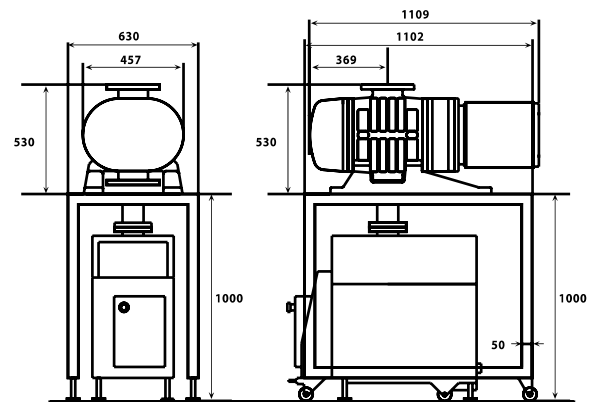
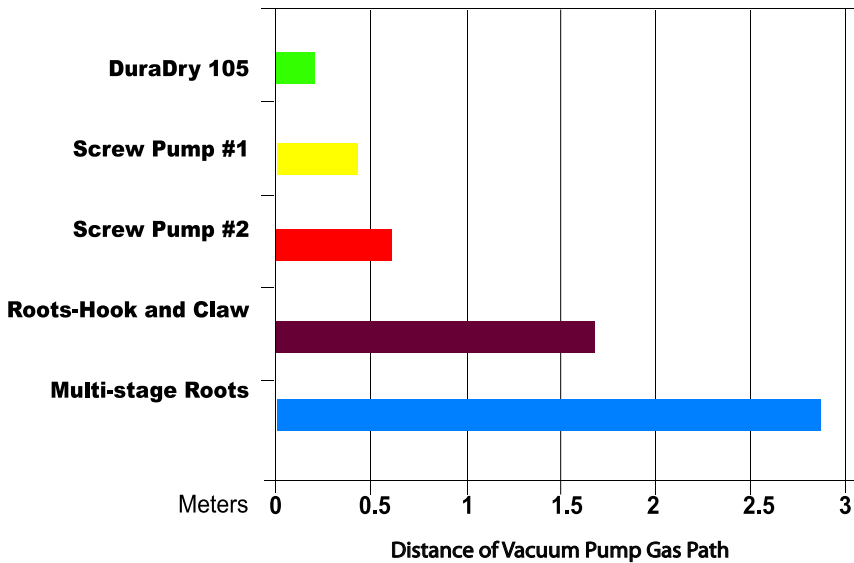
DD105 / DD605 / DD1205 / DD2005



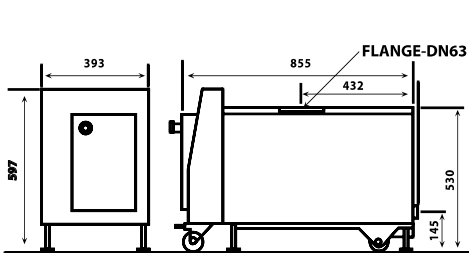
DD105 Series (60Hz)



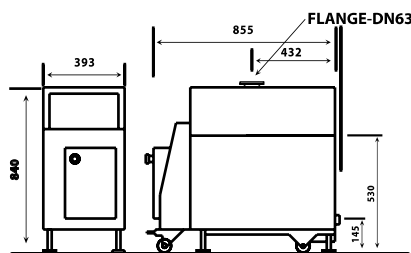
DD105 Series: Short Gas Path Ideal for Aggressive Pumping Applications



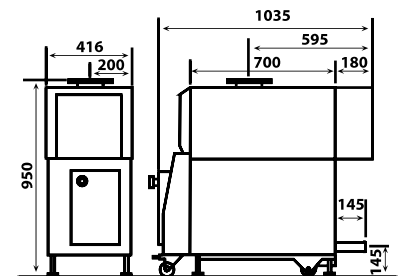
DD2005 (mm)



DD105 (mm)



DD605 (mm)



DD1205 (mm)

DD105 Series

Technical Data

	Units	DD105	DD605	DD1205	DD2005
Pumping speed 60Hz operation	cfm (m ³ /hr)	62 (105)	324 (550)	588 (900)	1206 (2050)
Pumping speed 50Hz operation	cfm (m ³ /hr)	53 (90)	265 (450)	471 (800)	1000 (1700)
Ultimate pressure with full CVD purge					
60 Hz operation	Torr	≤5.0x10 ⁻³	≤5.0x10 ⁻⁴	≤5.0x10 ⁻⁴	≤5.0x10 ⁻⁴
50 Hz operation	Torr	≤3.0x10 ⁻²	≤3.0x10 ⁻³	≤3.0x10 ⁻³	≤5.0x10 ⁻³
Pumping stages		1	2		3
Maximum exhaust pressure	psig (bar)	7.2 (1.5)			
Nitrogen supply pressure	psig (bar)	43-100 (4 to 8)			
Internal purge gas pressure	psig (bar)	29 (3)			
Nitrogen Consumption ETCH	slm	12			
Nitrogen Consumption CVD	slm	50			
Exhaust flush purge (optional)	slm	100			
Exhaust hot N2 purge (optional)	°F/°C	≤356 / ≤180			
Nitrogen Connection	inch	3/8" NPTF with 1/4" NPT Tube Connector			
Cooling water requirements, approx. Cooling water flow	L/min	1.8 to 2.8			
Cooling water temp	°F/°C	60 to 86 / 15 to 30			
Cooling water pressure with ΔP ≥ 1 bar	psig (bar)	36 to 116 (3.5 to 9)			
Cooling water connection	inch	1/2" NPTF with 3/8" Tube Connector			
Intake Port	mm	DN 63 IOS-K	DN 100 ISO-K	DN 160 IOS-K	
Exhaust port	mm	DN 40 KF			
Dimensions WxLxH (Nominal)	inches	39 x 16 x 23.5	39 x 16 x 33.5	45.5 x 16 x 42	45.5 x 28 x 44.5
Weight	lbs. (kg)	613 (278)	959 (435)	1274 (578)	1574 (714)
Maximum ambient temperature	°F/°C	104 / 40			
Minimum ambient temperature	°F/°C	50 / 10			
Power at ultimate vacuum	kw	4.0	5.0	6.0	9.0
Nominal motor power	kw	5.0	7.4	9.0	11.9
Supply Voltage Multi Voltage Motor	V / φ / Hz	200 · 208 · 230/460 · 480 V (± 10%), 3φ, 60 Hz 200 · 208/380 · 415 V (± 5%), 3φ, 50 Hz			
Motor rotation speed (nominal) 60 Hz	rpm	3600			
Motor rotation speed (nominal) 50 Hz	rpm	3000			